

Stand-in stacker truck 1.6 ton

BT STAXIO

S-series

SSI160LN

LI-ION

Lithium-Ion Energy System



Stand-in stacker truck with elevated support arms

| Specification | | | | | SSI160LN |
|------------------|--|--|-----------------------|--------|------------------|
| Identification | 1.1 | Manufacturer | | | Toyota |
| | 1.2 | Model | | | SSI160LN |
| | 1.3 | Drive | | | Electric |
| | 1.4 | Operator type | | | Stand-in |
| | 1.5 | Load capacity/rated load | Q | kg | 1600 |
| | | Support arm capacity | Q | kg | 2000 |
| | 1.6 | Load center | c | mm | 600 |
| | 1.8 | Load distance (support arms raised/lowered) | x | mm | 659/690 |
| | 1.9 | Wheelbase (support arms raised/lowered) | y | mm | 1508/1539 |
| Weight | 2.1 | Service weight with battery | | kg | 1637 |
| | 2.2 | Axle load, with load, drive/castor/support arm wheel | | kg | 571/521/2097 |
| | 2.3 | Axle load, without load, drive/castor/support arm wheel | | kg | 621/397/563 |
| Wheels | 3.1 | Drive/castor/fork wheel | | | Polyurethane* |
| | 3.2 | Wheel size, front | | mm | ø250x92 |
| | 3.3 | Wheel size, rear | | mm | ø85x74 |
| | 3.4 | Additional wheel size | | mm | ø140x86 |
| | 3.5 | Wheels, number front/rear (X = driven wheels) | | | 2(1X) / 4 |
| | 3.6 | Track width, front | b ₁₀ | mm | 460 |
| | 3.7 | Track width, rear | b ₁₁ | mm | 390 |
| Dimensions | 4.2 | Height, mast lowered | h ₁ | mm | 2371* |
| | 4.3 | Free lift | h ₂ | mm | 1894* |
| | 4.4 | Lift | h ₃ | mm | 5310* |
| | | Lift height | h ₂₃ | mm | 5400* |
| | 4.5 | Height, mast extended | h ₄ | mm | 5916* |
| | 4.6 | Initial Lift | h ₅ | mm | 120 |
| | 4.7 | Height of overhead guard (cabin) | h ₆ | mm | 2350 |
| | 4.8 | Stand height | h ₇ | mm | 262 |
| | 4.15 | Height, fork lowered | h ₁₃ | mm | 90 |
| | 4.19 | Overall length | l ₁ | mm | 2180 |
| | 4.20 | Length to face of forks | l ₂ | mm | 1030 |
| | 4.21 | Overall width | b ₁ | mm | 790 |
| | 4.22 | Fork dimensions | s/e/l | mm | 70/180/1150 |
| | 4.25 | Width over forks | b ₅ | mm | 570 |
| | 4.32 | Ground clearance, center of wheelbase | m ₁ | mm | 19,5 |
| | 4.33 | Aisle width for pallets 1000x1200 crossways | A _{st} | mm | 2615 |
| 4.34 | Aisle width for pallets 800x1200 crossways | A _{st} | mm | 2588 | |
| 4.35 | Turning radius | W _a | mm | 1740 | |
| Performance data | 5.1 | Travel speed, with/without load | | km/h | 8/10 |
| | 5.2 | Lift speed, with/without load | | m/s | 0,17 / 0,36 |
| | 5.3 | Lowering speed, with/without load | | m/s | 0,45 / 0,47 |
| | 5.8 | Max. gradeability, with/without load ¹⁾ | | % | 8/12 |
| | 5.9 | Acceleration time (over 10 m) | | s | 5,5 |
| | 5.10 | Service brake | | | Electromagnetic |
| Electric motor | 6.1 | Drive motor rating S2 60 min | | kW | 2,8 |
| | 6.2 | Lift motor rating (S3 15%) / for 200DN (S3 8.5 at 150 bar) | | kW | 3 |
| | 6.4 | Battery voltage/nominal capacity K _s | | V/Ah | 24/210, 300, 420 |
| | 6.5 | Battery weight | | kg | 29, 44, 58 |
| | 6.6 | Energy consumption according to EN16796 | | kWh/h | 0,77 |
| | Others | 8.1 | Type of drive control | | |
| 8.4 | | Sound level at the driver's ear according to EN12053 | | dB (A) | 67 |

* Further alternatives are available and will produce other values. Data is based on configuration with Triplex Hilo mast, 5400 mm (h23).

All data are based on table configuration. Other configurations may give other values.

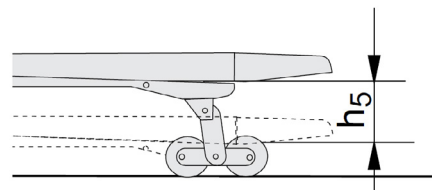
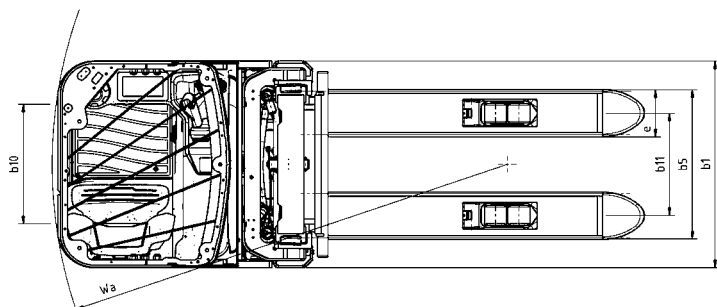
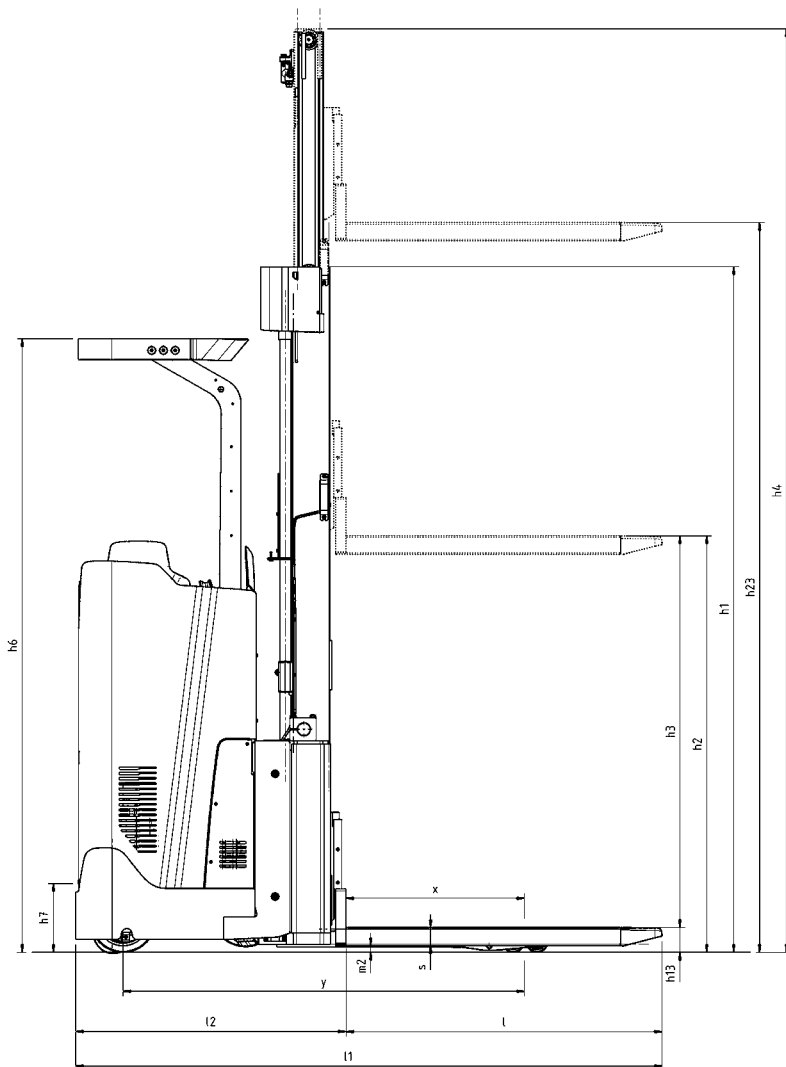
Truck performance and dimensions are nominal and subject to tolerances.

Toyota Material Handling Manufacturing Sweden AB products and specifications are subject to change without notice.

Mast dimensions

BT STAXIO

| SSI160LN | | | Duplex Tele Panoramic View | | | | Duplex HiLo | | | | | | Triplex HiLo | | |
|----------|-----------------------------------|----|----------------------------|------|------|------|-------------|------|------|------|------|------|--------------|------|------|
| h_{23} | Lift height ($h_{13}+h_3$) | mm | 2350 | 3300 | 3700 | 4150 | 1950 | 2350 | 2500 | 2800 | 3300 | 3700 | 4150 | 4800 | 5400 |
| h_3 | Lift | mm | 2260 | 3210 | 3610 | 4060 | 1860 | 2260 | 2410 | 2710 | 3210 | 3610 | 4060 | 4710 | 5310 |
| h_1 | Height, mast lowered | mm | 1744 | 2219 | 2419 | 2644 | 1543 | 1743 | 1818 | 1968 | 2218 | 2418 | 2643 | 2171 | 2371 |
| h_2 | Free lift, ground to top of forks | mm | — | — | — | — | 1056 | 1256 | 1332 | 1482 | 1732 | 1932 | 2156 | 1694 | 1894 |
| h_4 | Height, mast extended | mm | 2892 | 3842 | 4242 | 4692 | 2491 | 2891 | 3041 | 3341 | 3841 | 4241 | 4691 | 5316 | 5916 |



Truck features:

- Fingertip controls
- Adjustable sit/stand chair
- 180° or 360° steering mode
- Driver detection system
- Multifunction colour touchscreen
- Carefree Li-Ion energy solution
- Automatic speed reduction in curves
- Blue LED warning light option
- Cold store option
- Automatic deceleration
- Automatic parking brake
- Clear view mast
- Electronic braking system
- Electronic regenerative brakes (motor)
- Electronic speed control

